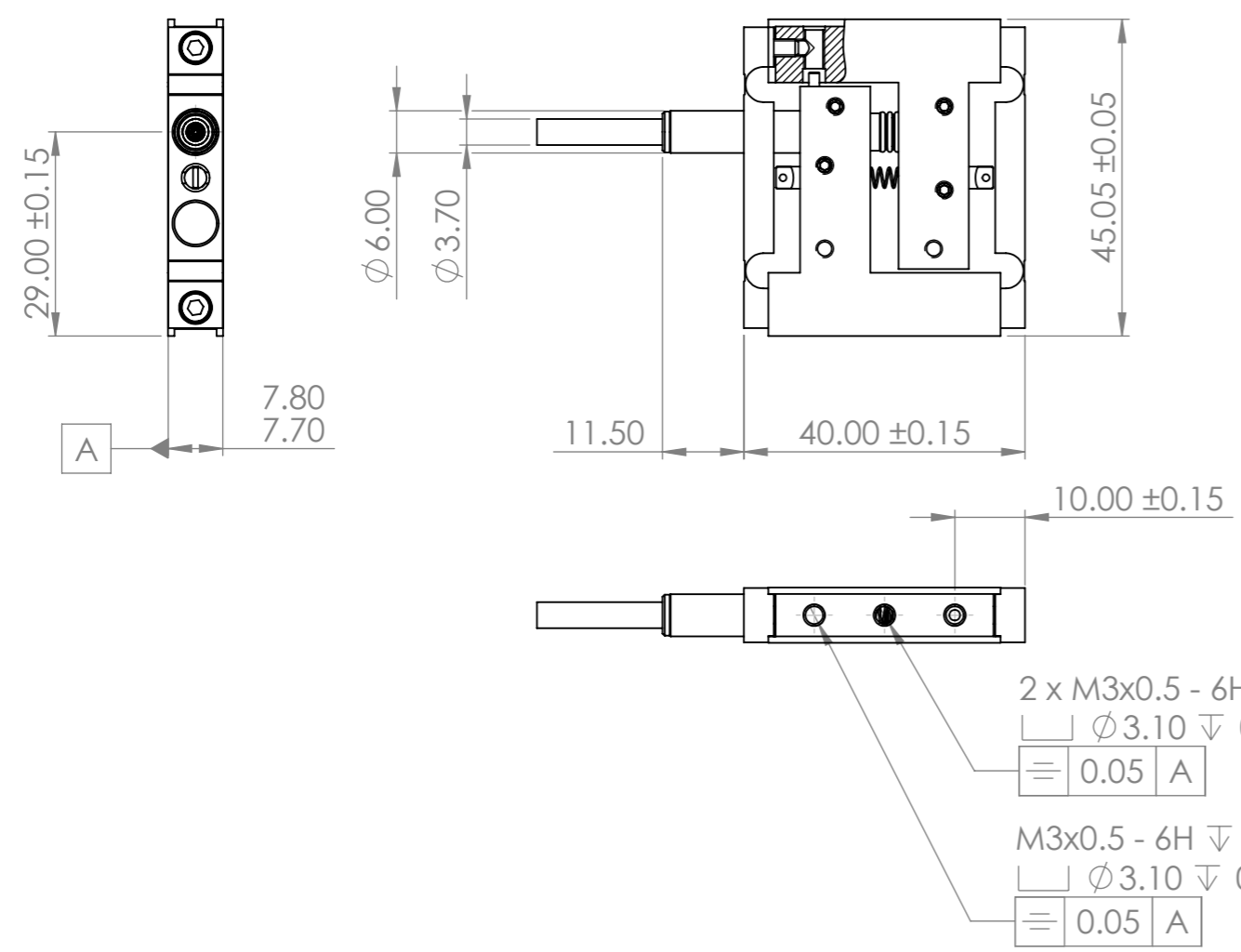
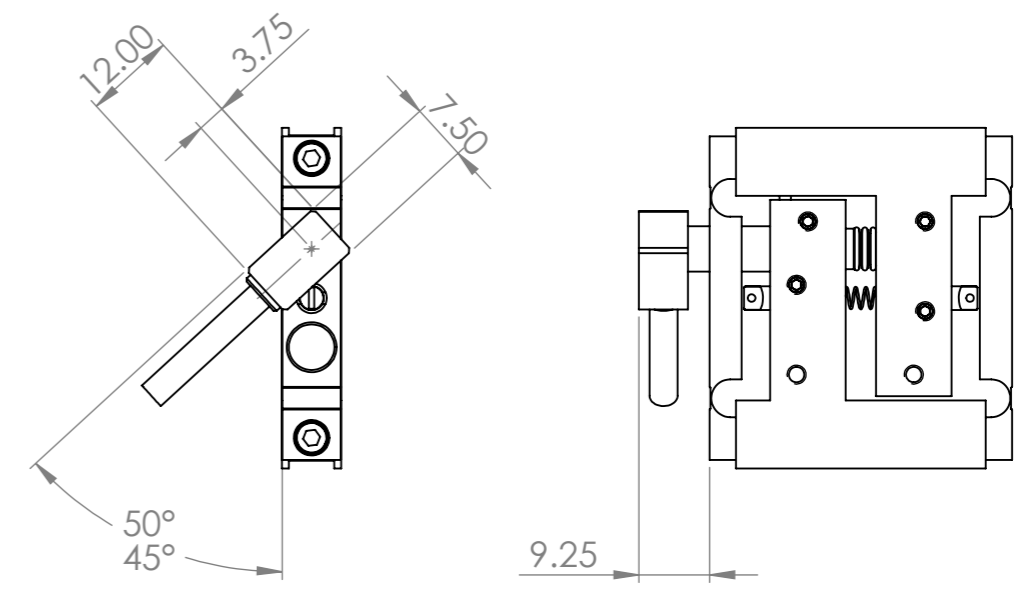


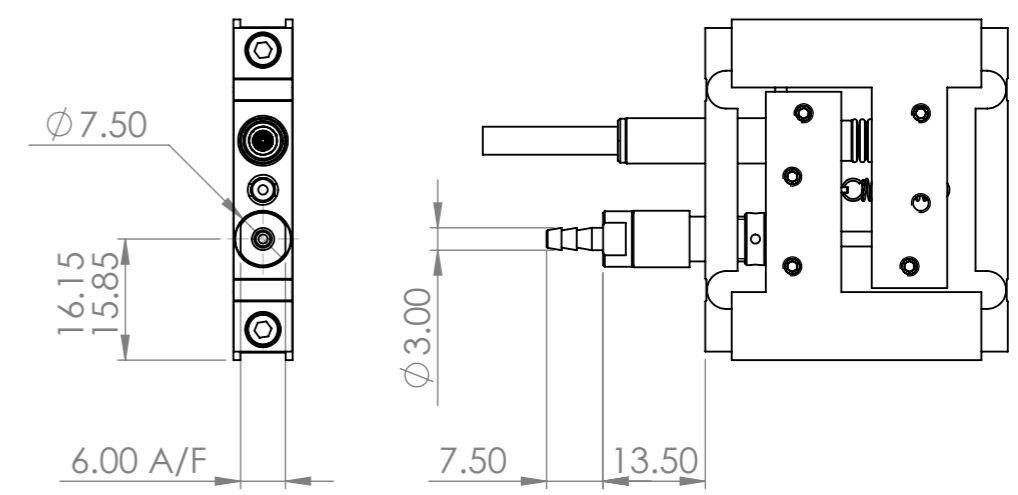
**SPRING PUSH STANDARD AU/0.5/S & DU/1/S
 IN PARALLEL FRAME POSITION
 USING $\phi 6\text{mm}$ TRANSDUCER WITH AXIAL CABLE OUTLET**




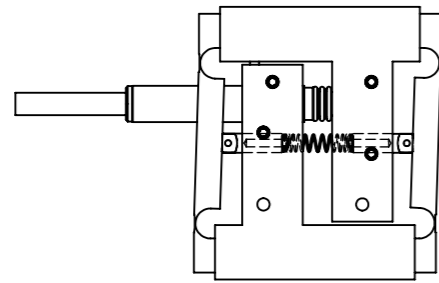
**SPRING PUSH STANDARD AUR/0.5/S & DUR/1/S
 IN PARALLEL FRAME POSITION
 USING $\phi 6\text{mm}$ TRANSDUCER WITH RADIAL CABLE OUTLET**



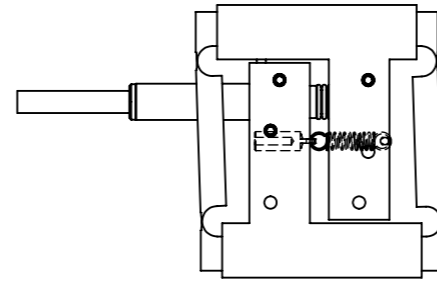
**PNEUMATIC STANDARD AU/0.5/P & DU/1/P
 IN PARALLEL FRAME POSITION
 USING $\phi 6\text{mm}$ TRANSDUCER WITH AXIAL CABLE OUTLET**



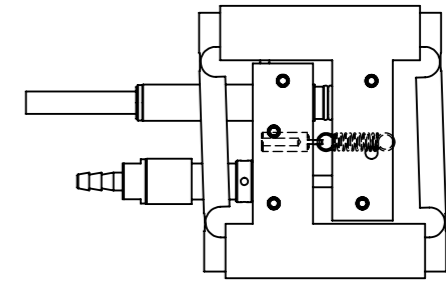
 STEYNING WAY • BOGNOR REGIS • SUSSEX • ENGLAND • PO22 9ST	DRAWING NUMBER	TITLE	E.D.C.R.	22757
	540002-103	FLEXURE AU/0.5 & DU/1	ISSUE	2
SOLARTRON PURSUES A POLICY OF CONTINUOUS DEVELOPMENT. SPECIFICATIONS IN THIS DOCUMENT MAY THEREFORE BE CHANGED WITHOUT NOTICE. DIMENSIONS ARE NOMINAL AND SPECIFIED IN MILLIMETRES				



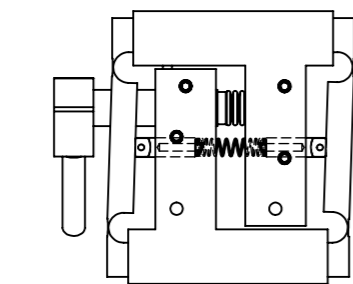
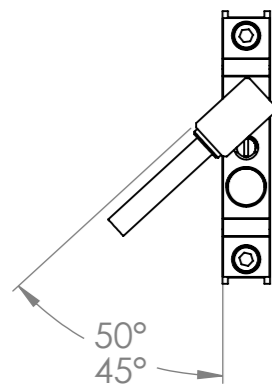
AU/0.5/S(H) OR DU/1/S
STANDARD



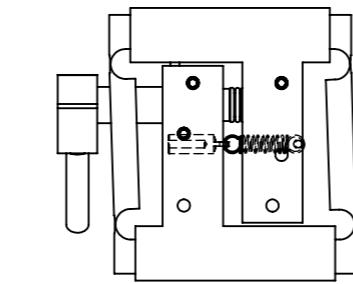
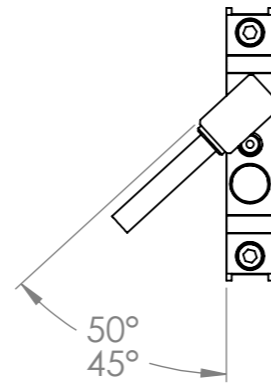
AU/0.5/R(H) OR DU/1/R
REVERSED ACTION



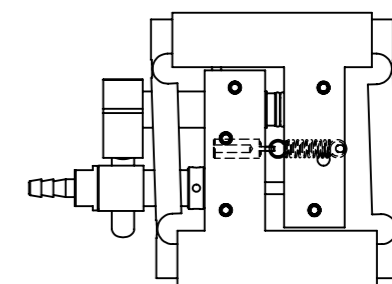
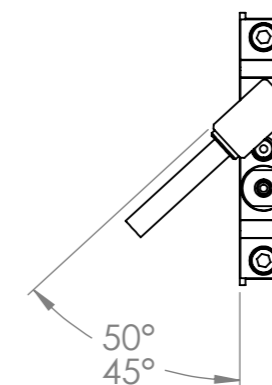
AU/0.5/P(H) OR DU/1/P
STANDARD



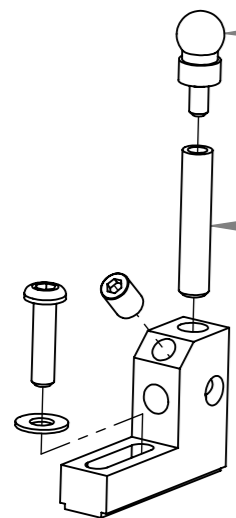
AUR/0.5/S(H) OR DUR/1/S
STANDARD



AUR/0.5/R(H) OR DUR/1/R
REVERSED ACTION



AUR/0.5/P(H) OR DUR/1/P
STANDARD

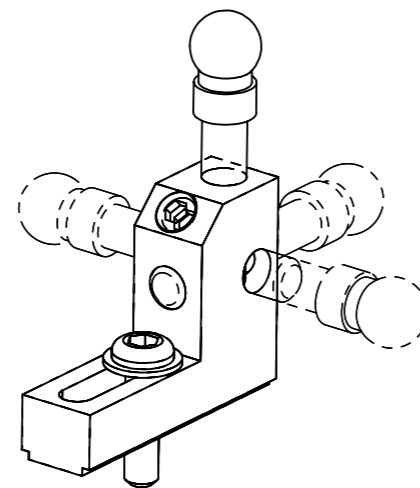


TIPS

008305-005 STANDARD
VARIOUS TIPS AVAILABLE
FOR DIFFERENT APPLICATIONS

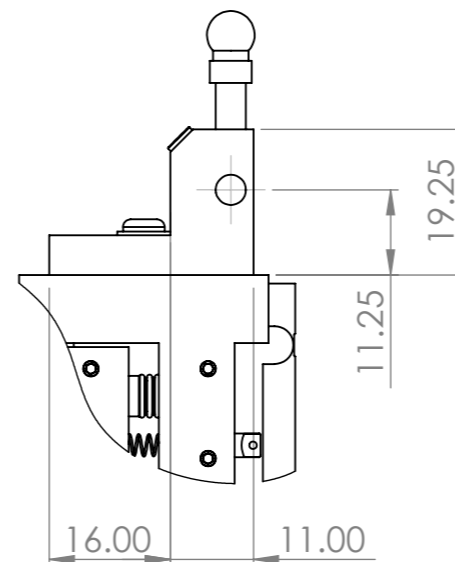
TOOL HOLDERS

208221/20 RECOMMENDED
208221/30
208221/40
208221/60

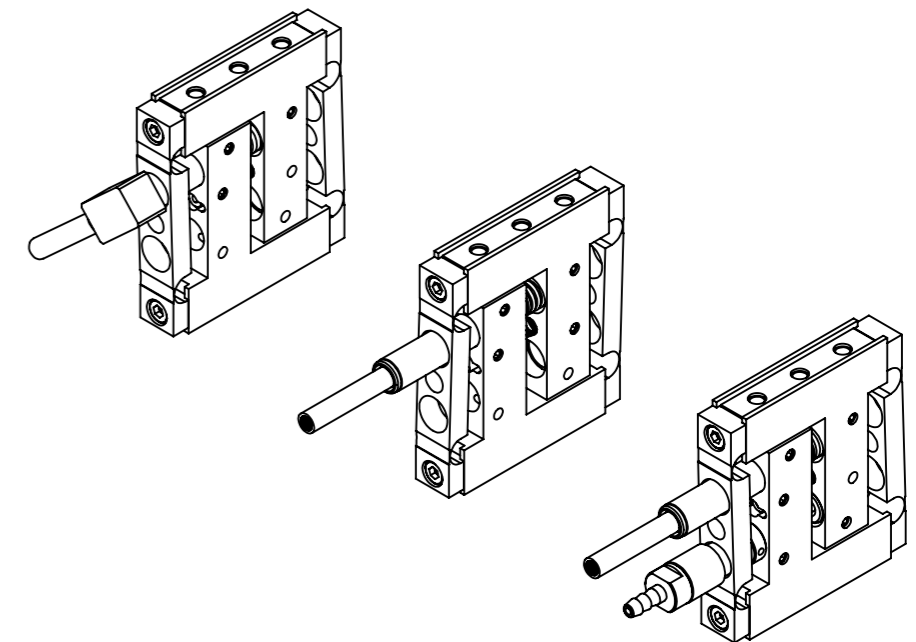


806274-SX TOOL HOLDER ASSY
AU/0.5 & DU/1 - ϕ 4mm

TIP & TOOL HOLDER SHOWN FOR ALTERNATIVE POSITIONS ONLY



TOOL HOLDER - ASSEMBLED



STEYNING WAY • BOGNOR REGIS • SUSSEX • ENGLAND • PO22 9ST

DRAWING NUMBER	
540002-103	

TITLE	FLEXURE AU/0.5 & DU/1
-------	--------------------------

E.D.C.R.	22757
ISSUE	2

SOLARTRON PURSUES A POLICY OF CONTINUOUS DEVELOPMENT. SPECIFICATIONS IN THIS DOCUMENT MAY THEREFORE BE CHANGED WITHOUT NOTICE. DIMENSIONS ARE NOMINAL AND SPECIFIED IN MILLIMETRES